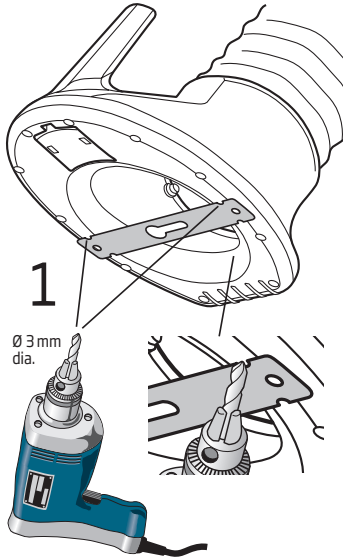
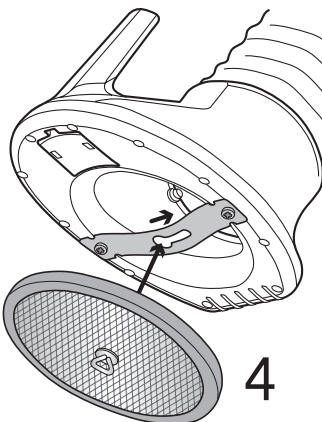
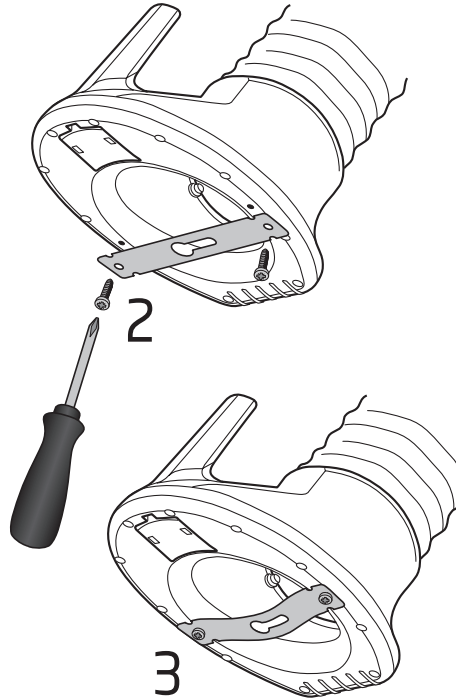


Mounting Instruction - Spark Screen for Extractor Arm Original



Use markings on hood or plate spring to ensure center to center measurement of 214 mm when drilling.



Ensure that the spark protection is pressed up against the hood with no gaps around the edge after mounting.