

A SIMPLE SOLUTION TO LIFT, ROTATE AND TILT

ProArc PT-H series hydraulic positioners offer an ideal solution for heavy duty workpieces from 1 ~ 5 tons that is widely used in industries such as pressure vessels, ship buildings, oil and gas. Having functional design of lifting, rotating and tilting, operators can improve working efficiency with flexibility and save floor space to handle the weldments. This series is a practical solution to achieve higher weld quality for semi-skilled operators.



Features

- Ergonomically working environment
- Save time utilizing weldments
- Ease of operation
- Safe operating environment

PT-H

Ergonomically working environment

Flexible to move and adjust workpiece height, angle and rotating speed to attain an ideal and perfect working position.

Save time utilizing weldments

Inverter-controlled faceplate provides smooth and accurate rotation movement in all loading conditions. Powerful hydraulic tilting and height adjustments enable safe positioning of the workpiece to optimal welding and working condition.

Ease of operation

All movements can be controlled from a handy remote pendant. The operator can monitor rotation speed from digital RPM display.



Safe operating environment

For safety, PT-H series hydraulic system is equipped with safety valves for power off emergency situation and a self-locked design worm reducer. Conforms to CE standard.

Application

- Pressure vessels
- Ship buildings
- Oil and gas industry

Options

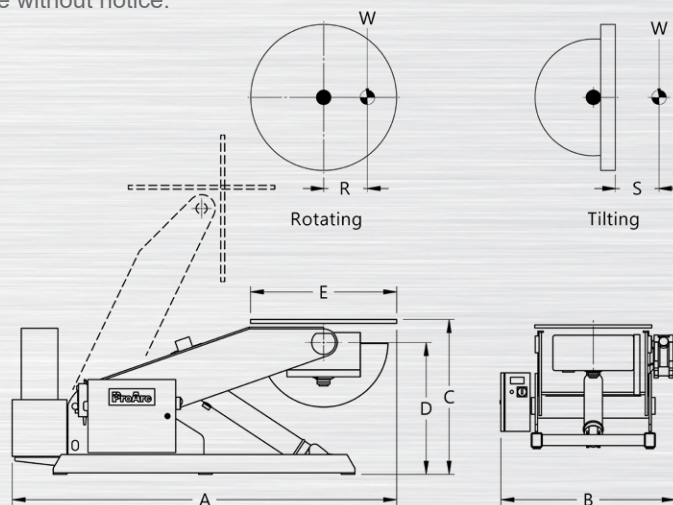
- Variable speed foot control
- 3-Jaw chucks
 - PG-500, OD 4 ~ 500mm
 - PG-750, OD 15 ~ 750mm
 - ID 100 ~ 750mm

Specification

Model	Unit	PT-1000H	PT-2000H	PT-3000H	PT-5000H
Power input		AC 220V, 50/60Hz, 3 Phase			
Capacity (W)	kg	1,000	2,000	3,000	5,000
Rated center of gravity (S)	mm	300	300	300	300
Rated eccentricity (R)	mm	200	300	200	200
Rotation speed	rpm	0.05 ~ 1.0	0.05 ~ 0.8	0.05 ~ 0.8	0.05 ~ 0.8
Tilt range	deg	0 ~ 135°			
Tilt speed (0 ~ 135°)	sec	45	58	65	65
Earthing	amp	600	1,200	1,200	1,200
Overall length (A)	mm	1,780	2,110	2,650	3,000
Overall width (B)	mm	940	1,180	1,300	1,500
Overall height (C)	mm	692 ~ 1,297	846 ~ 1,572	991 ~ 1,835	1,150 ~ 2,000
Center to floor (D)	mm	600 ~ 1,205	720 ~ 1,446	850 ~ 1,695	1,000 ~ 1,850
Table dimension (E)	mm	600	800	1,000	1,200
Through hole	mm	Ø26	Ø35	Ø40	Ø40
Table pilot hole (dia. x depth)	mm	50 x 5	50 x 5	75 x 5	75 x 5
Table slot bolt size	mm	M12	M16	M20	M24
Weight	kg	920	1,400	2,700	3,500

※ Specifications subject to change without notice.

Dimensions



Westermans International Ltd

Unit 4 Midland Distribution Centre
Markfield Road, Groby, Leicestershire, LE6 0FS

Tel : +44(0) 116 2696941 Web: www.westermans.com E-mail : welding@westermans.com