

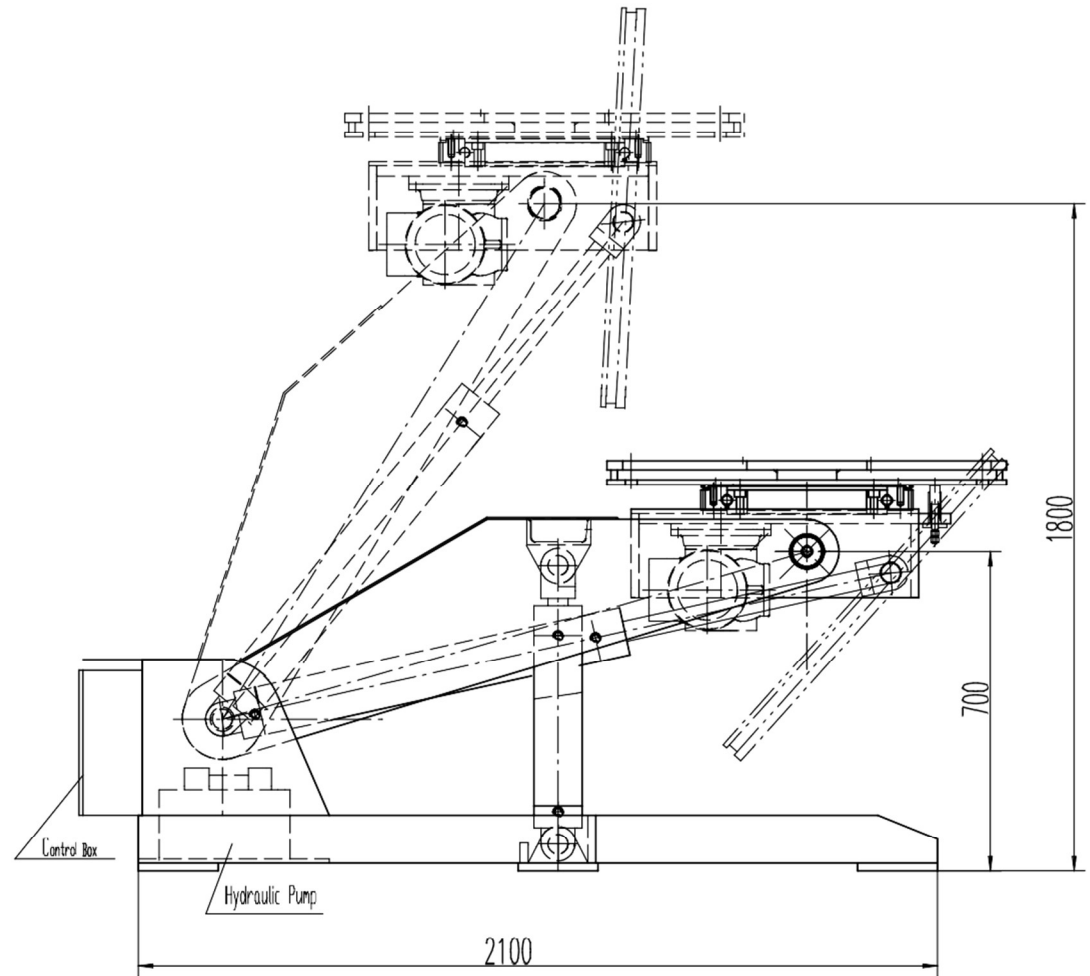
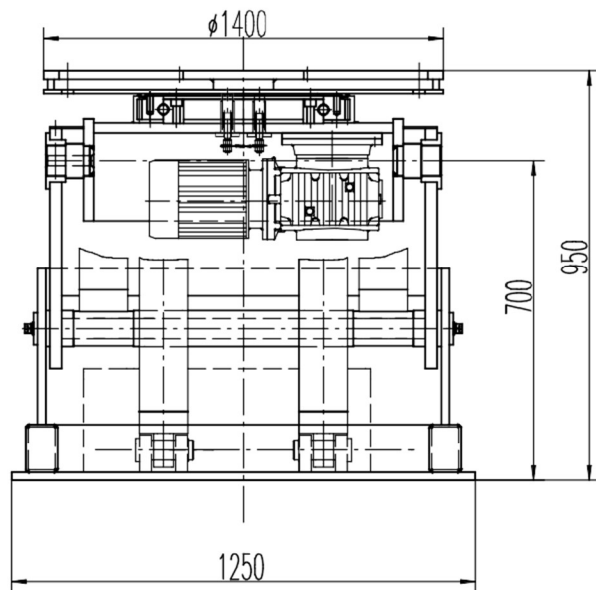


Westermans International Ltd

welding one cutting rolling heat treatment the world

www.westermans.com

Tel: +31 87 5 259 911



Model	WES-30	Tilt way	Hydraulic cylinder	Customer Approval	WESTERMANS INTERNATIONAL		Welding Positioner	
Loading Capacity	3 tons maximum	Tilting cylinder	Two cylinders					
Table diameter	1000 mm	Tilting angle	0~90°		Drawing by	P.H	WES-30	
Lifting way	Hydraulic cylinder	Control way	Remote hand control		Check by	S.G	3 Axis Positioner	
Lifting cylinder	Two cylinders	Foot switch	YES		Revision		001	
Lifting stroke	700~1800 mm	Voltage	380V 50Hz 3Phase		Drawing No.		WS 2006WES30	
Rotation way	Motorized 2.2 KW	Color	RAL3003 RED		Email		welding@westermans.com	