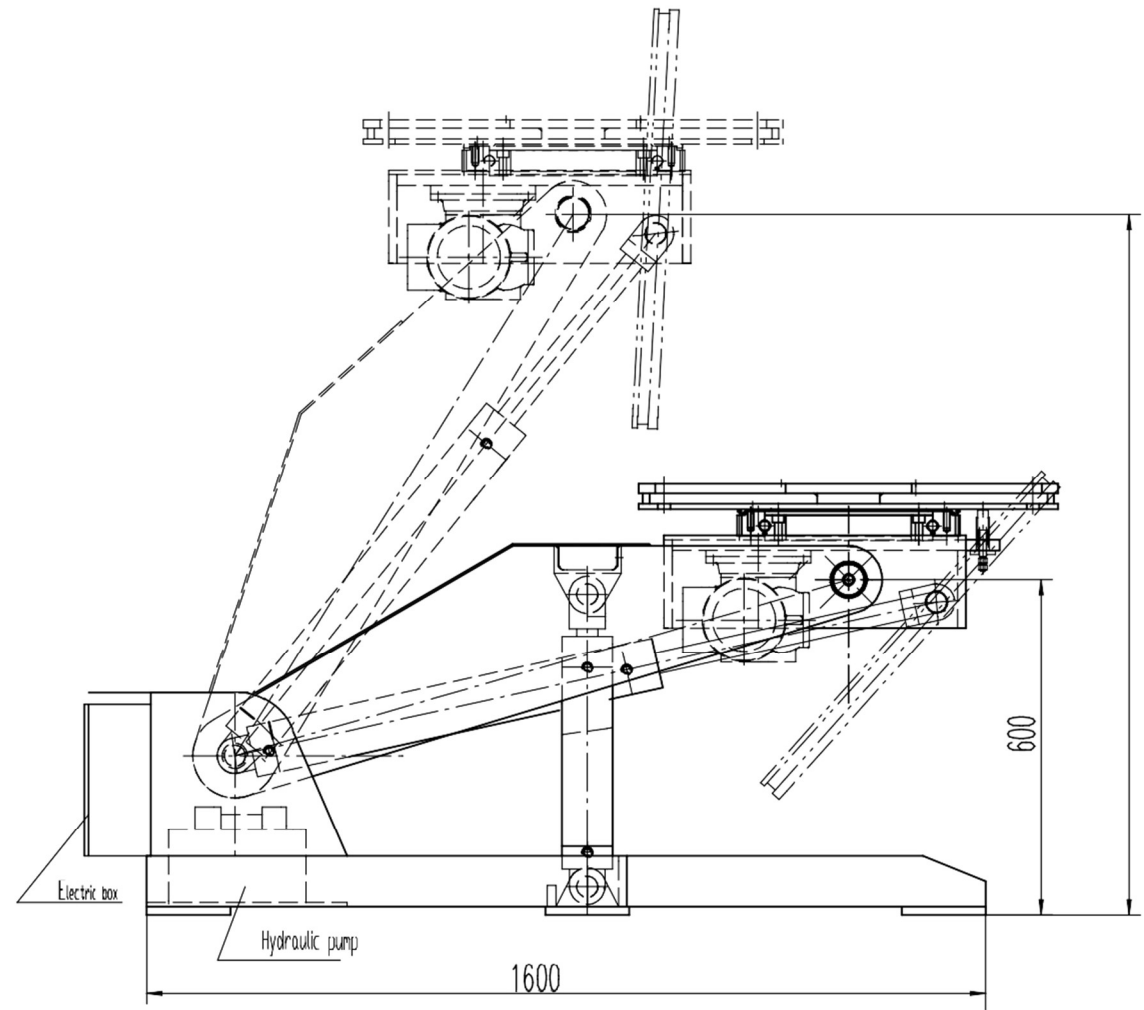
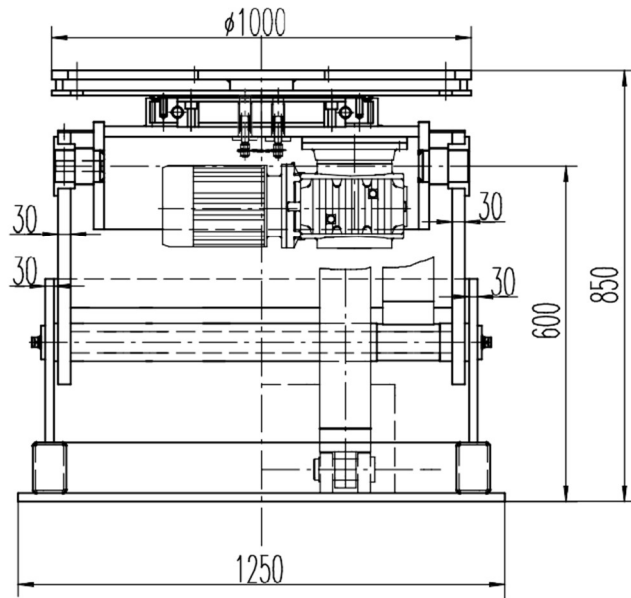




Westermans International Ltd
welding and cutting solutions that don't cost the earth

W: www.westermans.com E: welding@westermans.com
T: +44 (0)115 269 6361



Model	WES-20	Tilt way	Hydraulic cylinder	Customer Approval	Westermans International Drawing by P.H Check by S.G Revision 001 Drawing No. WS 2006WES20 Email welding@westermans.com		Welding Positioner WES-20 3 Axis Positioner	
Loading Capacity	2 tons maximum	Tilting cylinder	One cylinders					
Table diameter	1000 mm	Tilting angle	0~90°					
Lifting way	Hydraulic cylinder	Control way	Remote hand control					
Lifting cylinder	One cylinders	Foot switch	YES					
Lifting center stroke	600~1470 mm	Voltage	380V 50Hz 3Phase					
Rotation way	Motorized 1.5 KW	Color	RAL3003 RED					