

## NS40-SL

Standard duty stud gun for welding on sheet metal applications

**Durable Gun Body:** Constructed from thermo-plastic resin for maximum strength and longevity.

**Lift Adjustment:** Mechanical adjustment for lift heights in increments of 0.25mm with detents on the core screw. Adjusting the core screw clockwise increases the lift height, counter clockwise reduces the lift height.

**Lift Mechanism:** Assures reliable control of lift height for highly repeatable weld arc length over millions of welds.

**Leg Design And Diameter:** Stainless steel legs with milled flats resists galling from leg screws and allows free movement of leg assembly during plunge adjustment. The 8mm (5/16") diameter stainless legs resist flexing with longer length studs.

**Ergonomic Shape:** Shape and balance reduces operator fatigue.

**At a Glance:**

The NS40-SL works with all the Nelson drawn arc welders configured for Short Cycle mode such as the inverters, N550c, and Alfa 850.

**Gun Components:**

- Legs
- Feet
- Spark shields
- Chucks



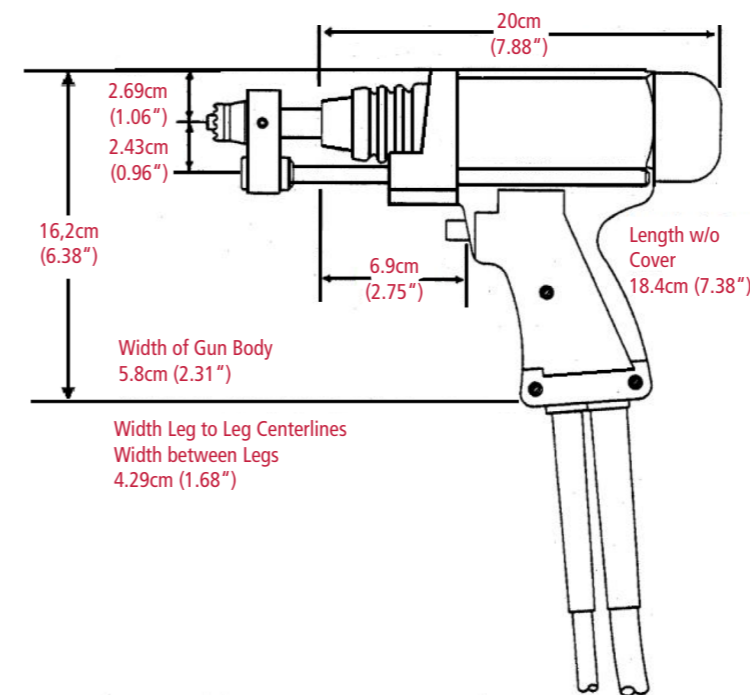
## NS40-SL

Standard duty stud gun for welding on sheet metal applications

**Specifications**

Model	NS40-SL
Length (less accessories)	20cm (7.88")
Working Weight	2.3kg (5lbs)
Shipping Weight	3.1kg (6lbs)
Lift Height Range	10mm (3/8")

The Nelson NS40-SL a rugged, standard duty Drawn Arc stud welding gun designed specifically to weld studs up to 12mm diameter. It can be used to weld smaller diameter studs using the Gas Arc or Short Cycle welding procedure.



**Applications:**

- Welding of medium diameter studs for construction, shipbuilding and industrial applications.
- Gas Arc welding of small diameter studs for improved weld appearance.
- Short Cycle welding of small diameter studs to sheet metal.

## NS40-B

Standard duty stud gun for welding drawn arc applications with a ferrule

**Durable Gun Body:** Constructed from thermo-plastic resin for maximum strength and longevity.

**Lift Adjustment:** Mechanical adjustment for lift heights in increments of 0.25mm with detents on the core screw. Adjusting the core screw clockwise increases the lift height, counter clockwise reduces the lift height.

**Lift Mechanism:** Assures reliable control of lift height for highly repeatable weld arc length over millions of welds.

**Leg Design And Diameter:** Stainless steel legs with milled flats resists galling from leg screws and allows free movement of leg assembly during plunge adjustment. The 8mm (5/16") diameter stainless legs resist flexing with longer length studs.

**Ergonomic Shape:** Shape and balance reduces operator fatigue.

**Plunge Dampener:** The NS40-B can be equipped with an optional plunge dampener for welding studs larger than 10mm. This feature known as Tranquil Arc slows the stud plunging into the molten metal to reduce weld spatter.

**At a Glance:**

The NS40-B works with all the Nelson drawn arc welders such as the inverters, Arc Charger, N4000/6000, Intra 1400/2100, and Alfa 850.

**Gun Components:**

- Legs
- Feet
- Ferrule grips
- Plunge dampener
- Chucks



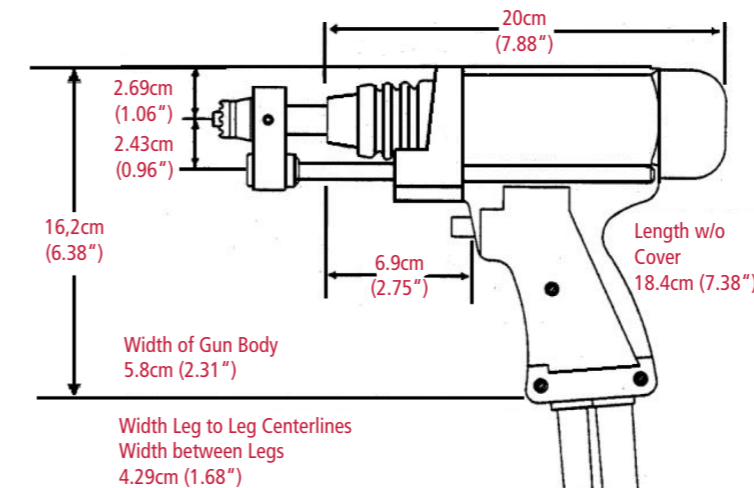
## NS40-B

Standard duty stud gun for welding drawn arc applications with a ferrule

**Specifications**

Model	NS40-B
Length (less accessories)	20cm (7.88")
Working Weight	2.3kg (5 lbs)
Shipping Weight	3.1kg (6 lbs)
Lift Height Range	10mm (3/8")

**The Nelson NS40-B a rugged, standard duty Drawn Arc stud welding gun designed specifically to weld studs up to 12mm diameter. It can be used to weld smaller diameter studs using the Gas Arc or Short Cycle welding procedure.**



**Applications:**

- Welding of medium diameter studs for construction, shipbuilding and industrial applications.
- Gas Arc welding of small diameter studs for improved weld appearance.
- Short Cycle welding of small diameter studs to sheet metal.