

## K CLOSED CHAMBER WELD HEADS

*TIG / GTAW welding of tube to tube joints*



*K 2500-2T with double clamping system*

- Fusion TIG / GTAW all position orbital welding of tubes, fittings and accessories. O.D. from 3 mm / 1/8" to 177,8 mm / 7".
- Perfectly adapted for joining tubes out of stainless steel, high alloy materials and titanium.
- The head clamps on both sides 2T (or only on one side 1T) of the weld joint and forms with its ceramic gas cup a closed chamber for the shielding gas and the welding arc.
- During welding, the head body remains stationary, the electrode gear and tungsten electrode rotate around the tube.



*PS type power source ideal for use with K weld heads*

### UNIQUE FEATURES

- Compatible for work with all series of Polysoude power sources.
- Modular 2T-double or 1T-single clamping system to weld fittings, elbows and sanitary ferules with short stick-out.
- Ceramic gas cups for perfect shielding gas coverage particularly for titanium and other oxygen sensitive materials, or when using 1T-single clamping system for elbows and fittings with short stick-out.
- Increased lifespan by means of high temperature resistant materials and closed loop water cooling.
- Interchangeable flexible titanium Tube Clamp Inserts – TCI's™ to comply with standard O.D.'s tolerances and hygienic / high purity requirements.
- Closed loop regulation to ensure precise, constant or pulsed welding speed.
- Encoder for position based control of the welding program.



*Modular in use 2T-double or 1T-single clamping system*

### ACCESSORIES & OPTIONS for your particular needs

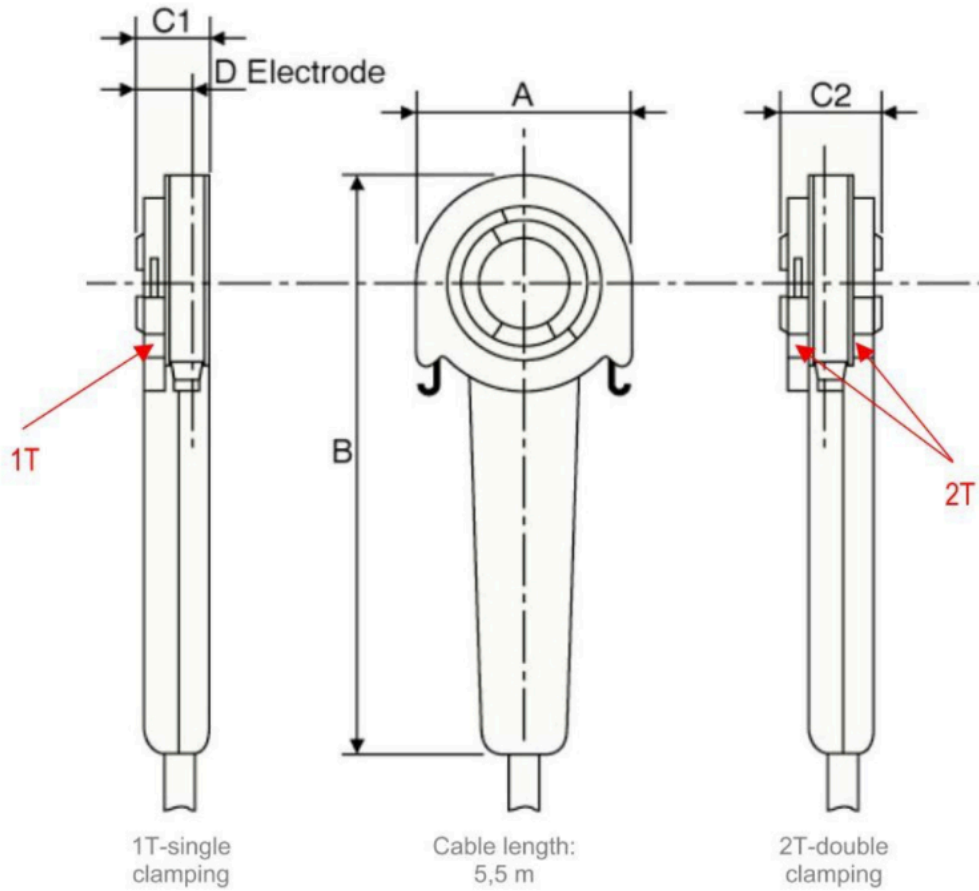
- Titanium Tube Clamp Inserts – TCI's™ for all tube and pipe O.D.'s available both in metric and inch sizes.
- Ceramic gas cups for all tube and pipe O.D.'s, available both in metric and inch sizes.
- Extension cable (15 m).
- Manual tack welding kit including water-cooled TIG / GTAW torch.
- Dual weld head switch box.
- Compact brief-case for packing, transport and storage.
- Tungsten electrodes, pre-sharpened and pre-cut.
- Tool kit for daily operations.



*Ceramic gas cup for perfect gas coverage*

**K CLOSED CHAMBER WELD HEADS**

**WELD HEAD SPECIFICATION**



Type	Tube O.D. mm / inches		Dimensions in mm (inches)					
	from	to	A	B	C1	C2	D	
<b>K 875</b>	3,00	22,2 mm	$1/8"$ - $1/8"$	69,85 (2,75)	250,83 (9,88)	31,75 (1,25)	47,75 (1,88)	24,38 (0,96)
<b>K 1500</b>	6,00	38,1 mm	$1/4"$ - $1/2"$	91,95 (3,62)	276,23 (10,88)	31,75 (1,25)	47,75 (1,88)	24,39 (0,96)
<b>K 2500</b>	12,7	63,5 mm	$1/2"$ - $2/2"$	127,00 (5,00)	321,31 (12,63)	41,15 (1,62)	62,99 (2,48)	31,24 (1,23)
<b>K 4000</b>	38,1	101,6 mm	$1 1/2"$ - $4"$	165,10 (6,50)	361,95 (14,25)	41,15 (1,62)	62,99 (2,48)	31,24 (1,23)
<b>K 6000</b>	50,8	152,4 mm	$2"$ - $6"$	228,60 (9,00)	440,50 (17,50)	47,24 (1,86)	62,99 (2,48)	31,24 (1,23)
<b>K 7000</b>	76,2	177,8 mm	$3"$ - $7"$	263,65 (10,38)	420,62 (16,56)	62,23 (2,45)	81,10 (3,2)	49,78 (1,96)

C1: version 1T – C2: version 2T